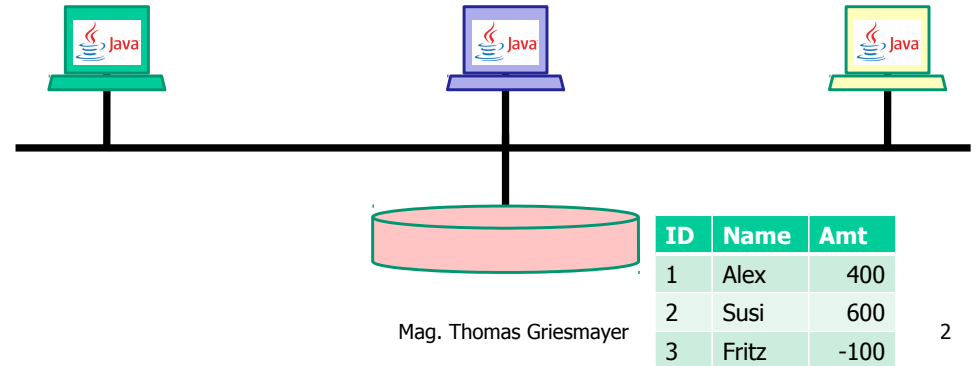


Local data

Mag. Thomas Griesmayer



getBankAccounts ()

getBankAccounts ()

```
SELECT *
FROM Account
WHERE ID = 3;

UPDATE Account
SET Amt = -150
WHERE ID = 3;
```

COMMIT;

ID	Name	Amt
1	Alex	400
2	Susi	600
3	Fritz	-100

Collection

ID	Name	Amt
1	Alex	400
2	Susi	600
3	Fritz	-100

Collection

ID	Name	Amt
1	Alex	400
2	Susi	600
3	Fritz	-100

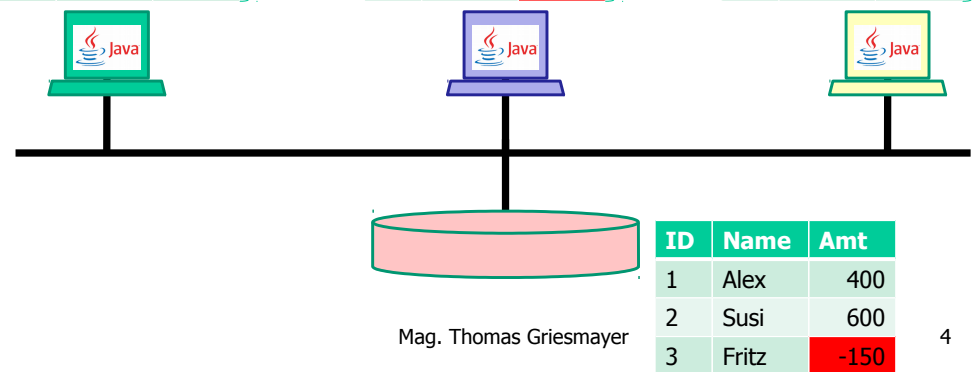
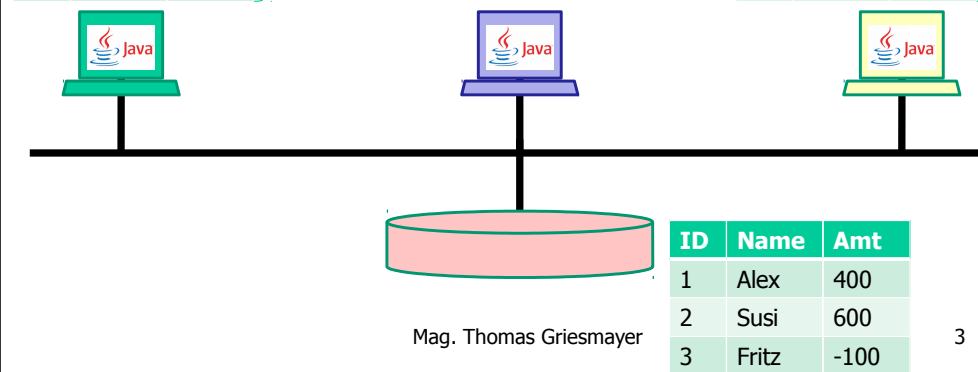
Collection

ID	Name	Amt
3	Fritz	-150

Collection

ID	Name	Amt
1	Alex	400
2	Susi	600
3	Fritz	-100

Collection

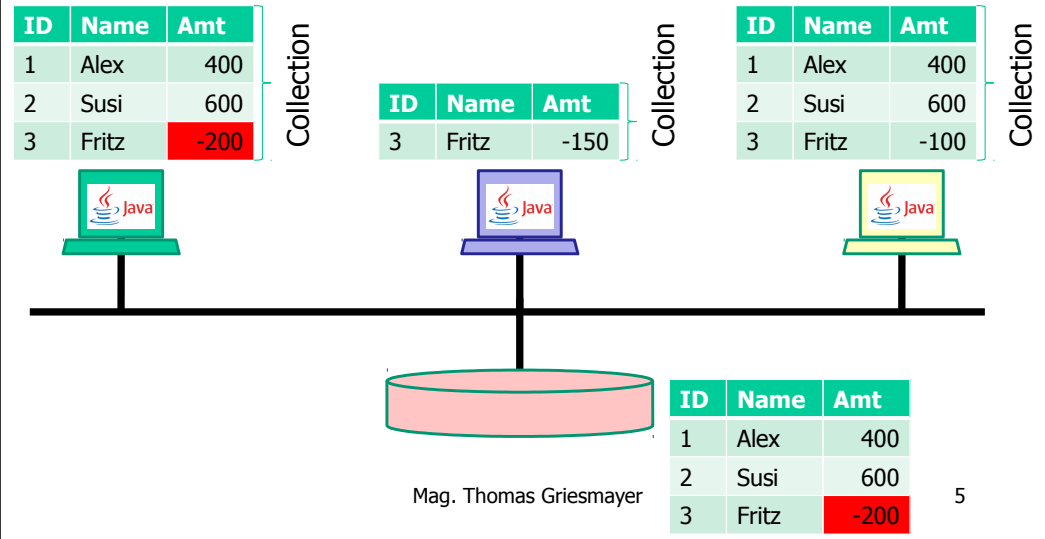


```

double amt_neu = amt - 100;
/* amt_neu = -200 */
UPDATE Account
SET Amt = amt_neu
WHERE ID = 3;

COMMIT;

```

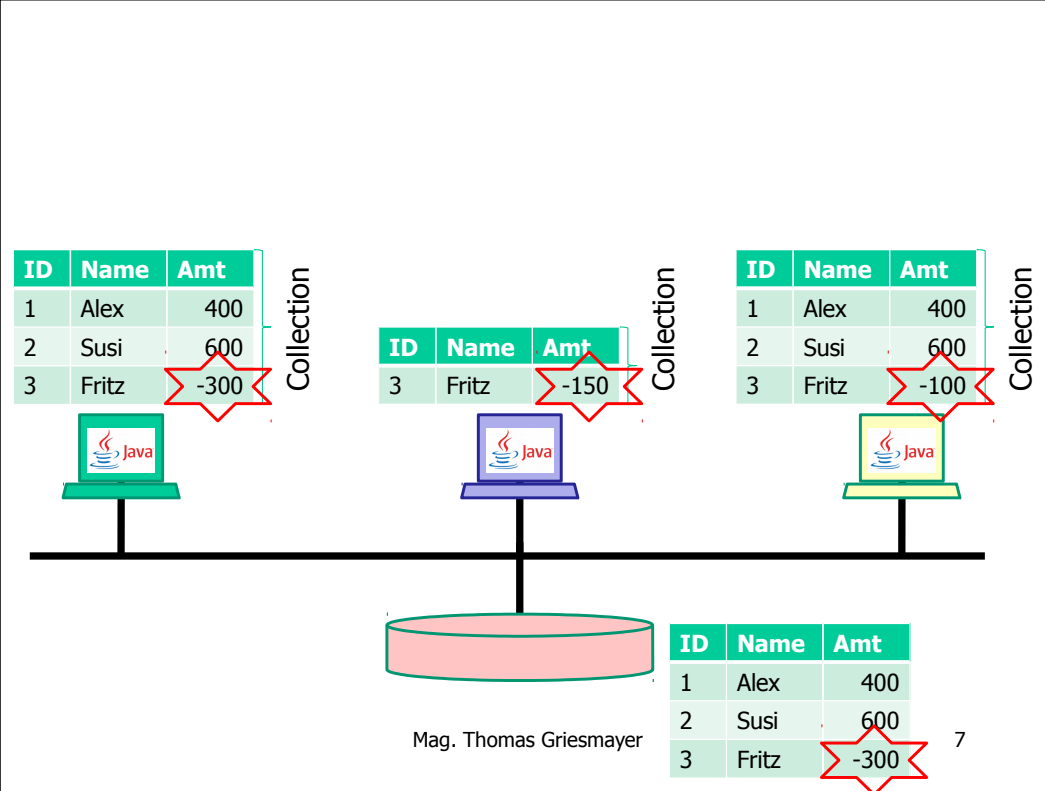
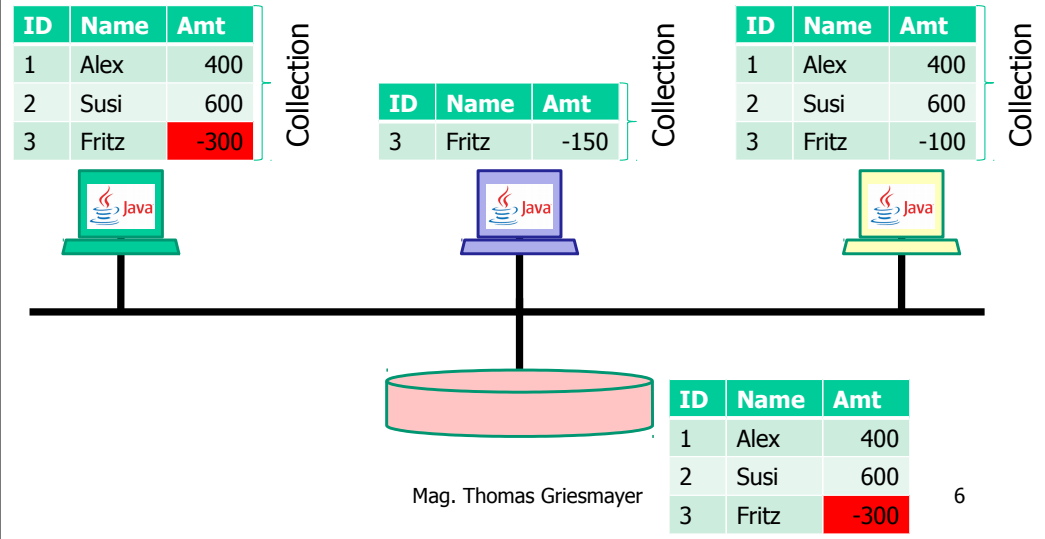


```

UPDATE Account
SET Amt = Amt - 100
WHERE ID = 3;

COMMIT;

```



Reading writing process

- Set autocommit off.
- Set the isolation level.
- Select necessary data for the business case - change the collection.
- Update data.
- End the transaction (commit/rollback).